

RS-232 to Fiber-optic Loop Adaptor



Features

- Simple interfacing of existing RS-232 devices to a fiber-optic communication loop.
- Compact size allows convenient location close to the device
- Standard D9 serial port
- Makes the RS-232 device Independently addressable over fiber-optic loop
- Allows different baud rate serial devices to be present on the same loop.
- Customisable to allow local control of serial devices

Applications

- Connecting any device with a RS-232 serial interface to fiber-optic loop systems
- Allowing legacy serial devices to operate in a multidrop environment
- Communication with RS-232 devices over high-voltage gaps.
- Enhancement of existing RS-232 devices by adding local intelligence, such as data buffering, filtering and scaling, controlled startups and shutdown, interlocking.

Specifications

RS-232 port	Supported baud rates	110, 300, 1200, 2400, 4800, 9600, 19200, 38400, 57600, 115200 bps
	Handshaking mode	8 bits no parity, one stop Software Xon / Xoff
Fiber-optic port	Supported baud rates	19200, 57600, 115200 bps 3, 10 Mbps
	Addresses	1 – 15 inclusive
	Protocol	8 bit ASCII, 8 bit binary 9 bit binary (10 Mbps)



Specifications (continued)

Power input	+24V (+/- 2V) DC, 100mA
Controls	16 position rotary switch for address selection 10 position rotary switch for comms mode/ baud rate
Displays	Four status LEDs (power, status, communications status)
Case material	Stainless steel sheet,
Weight	0.15kg (0.33 lb)
Operating environment	10 to 35C, < 80% humidity, non-condensing, vibration < 2g all axes, 1 to 1000Hz
Storage environment	0 to 50C, < 80% humidity, non-condensing, vibration < 2g all axes, 1 to 1000Hz

Interfacing

Interfaces	RS-232, 8-bit binary. Selectable baud rate from 110 to 115,200 bps Fiber-optic loop, 9600 to 10 Mbit/sec serial, 8 or 9 bit asynchronous binary.
Host computer	DLLs provided for Microsoft® .net, Win32 and Labview.

Connectors

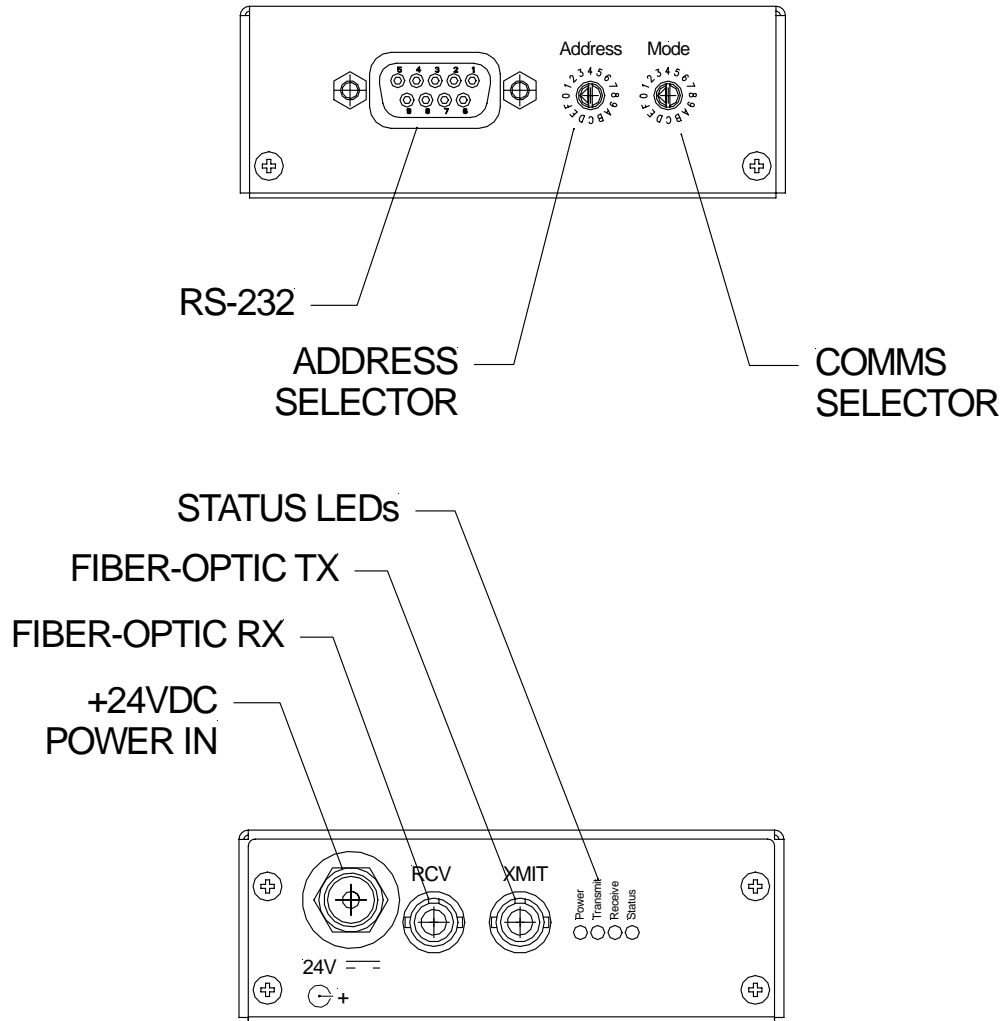
RS-232 D9 female

1	n/c	6	n/c
2	Tx	7	n/c
3	Rx	8	n/c
4	n/c	9	n/c
5	Gnd		

Note: Tx and Rx pins can be exchanged using internal jumper.

Fiber optics	Two 1mm Avago HFBR ST bayonet.
Power in	2.1mm threaded jack. Mates with Switchcraft S761K or equivalent.





Ordering information

S100	S100 configured to connect RS-232 devices to fiber optic loops with basic message pass-through.
-Sxxx	Special local intelligence variant

Pyramid Technical Consultants, Inc.,
 1050 Waltham Street Suite 200
 Lexington MA 02421 USA
 Tel: +1 781 402 1700 (USA),
 +44 1273 493590 (UK)

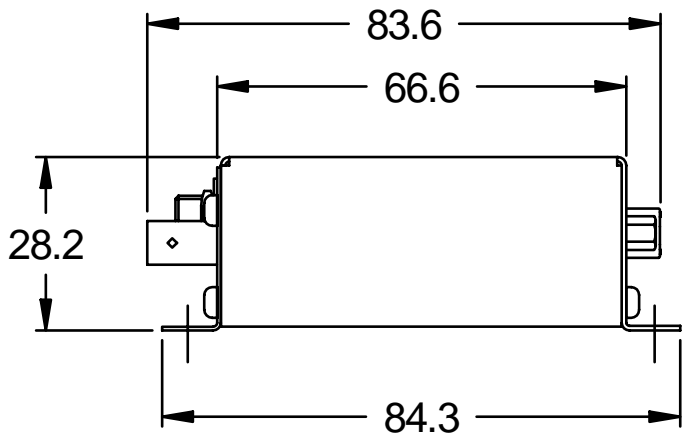
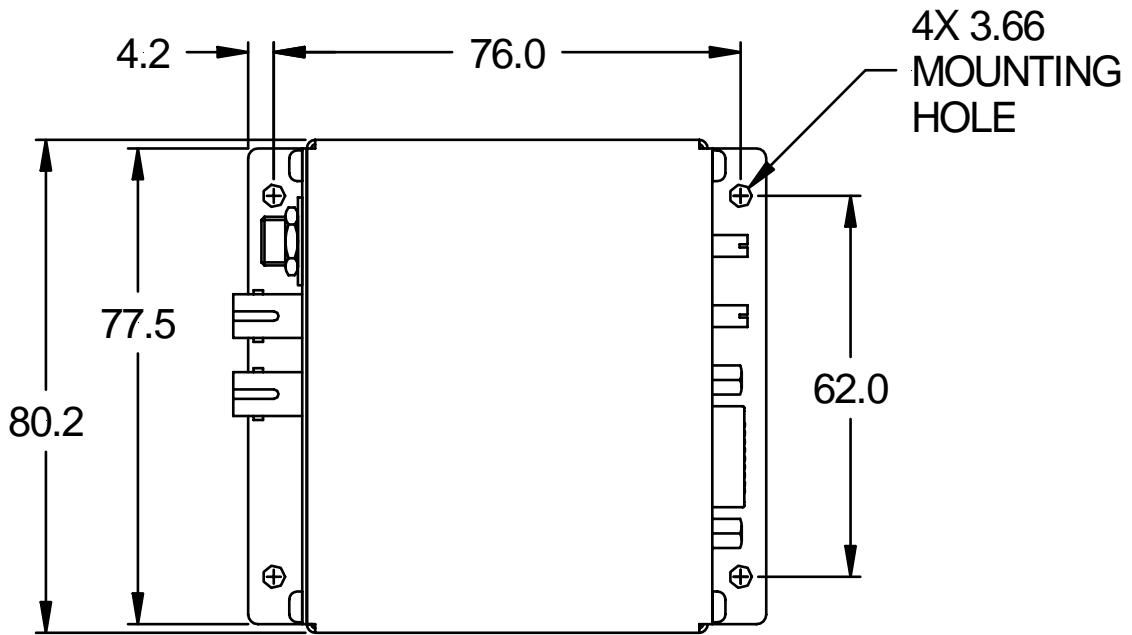
Email: support@ptcusa.com

www.ptcusa.com

The information herein is believed accurate at time of publication, but no specific warranty is given regarding its use. All specifications are subject to change. Trademarks and copyright acknowledged.

S100_DS_081031





Dims mm

